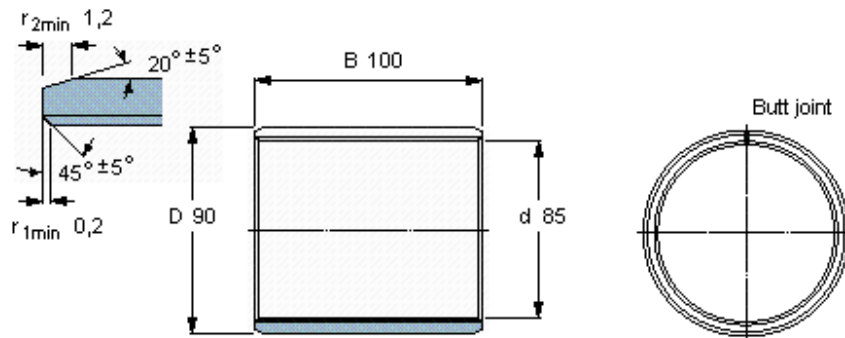


Composite dry sliding bushings, metric dimensions

Principal dimensions			Basic load ratings		Mass	Designation
d	D	B	dynamic C	static C0	kg	-
mm			kN			
85	90	100	670	2080	0,51	PCM 8590100 E



Specific load factor
Material constant

K 80
K_M 480